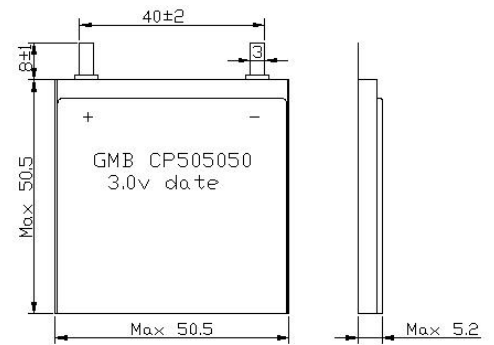


## DATE SHEET-C P 50 50 50

3.0V 3200mAh

### Electrical characteristics

Type	CP505050
System	lithium/ manganese dioxide
Nominal capacity (mAh)	3200@5mA to 2.0V @23°C
Rated voltage (V)	3.0
Max. continuous current (mA)	1500
Max. pulse current (mA)	2000
Storage temperature	-20°C~+40°C
Operation temperature range	-20°C~+60°C
Weight (g)	≈24.0
Self Discharge Rate	Under 2% for years@30°C
Jacket	Flexible Aluminum Foil Packaging
Max. dimensions (mm)	5.2×50.5×50.5



Unit:mm

### Key Features

- High Energy Density
- High single cell voltage
- Light weight
- Small Size
- High security
- Stable operating voltage
- Wide Operating temperature range
- Low Self-discharge rate
- Flexible on shape design

Any special or specific for shape, thickness or discharge rate, please consult GMB.

Huizhou Markyn New Energy Co., LTD.

Shangyuan Road , Markyn Industrial Zone, Boluo Town, Huizhou,  
P.R.C

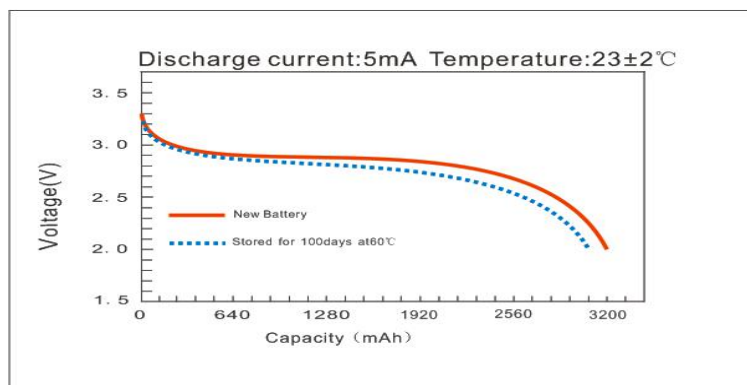
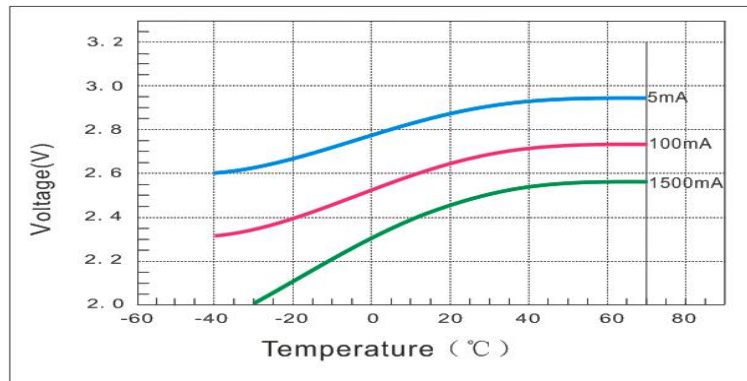
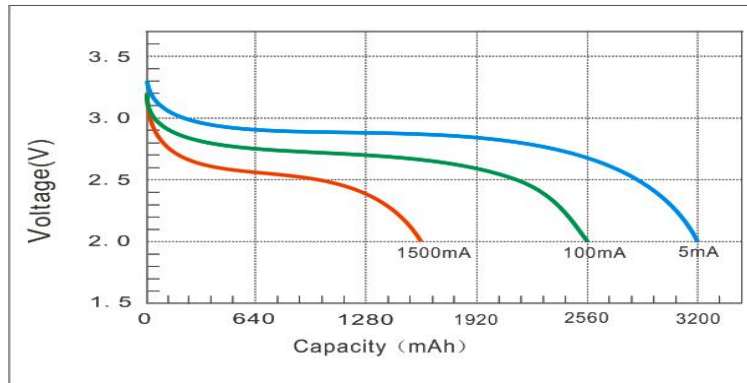
Tel: +86-752-6688061 Fax:+86-752-6688062

Email: info@gmbattery.com

## Discharge Curve

DATE SHEET- CP505050

3.0V 3200mAh



Huizhou Markyn New Energy Co., LTD.

Shangyuan Road , Markyn Industrial Zone, Boluo Town, Huizhou,

P.R.C

Tel: +86-752-6688061 Fax:+86-752-6688062

Email: info@gmbattery.com